

REV.	ECO/DDC	DESCRIPTION	DATE	DRAFT	CHECK	APV'D
A	----	RELEASED.	10-23-14	V.J.C.	N.H.S.	E.J.

### LOAD POINT MODEL NUMBERS

CAPACITY LBS [KN]	MODEL NUMBER PLATED ALLOY STEEL	MODEL NUMBER STAINLESS STEEL	LOAD SENSOR MODEL NUMBER	CABLE LENGTH FT [M]
1125 LB [5KN]	HI LPRE05-1125-45	HI LPRE05-1125-43	HI SB05-1125	20FT [6M]
2.25 KLB [10KN]	HI LPRE05-2.25K-45	HI LPRE05-2.25K-43	HI SB05-2.25K	20FT [6M]
4.5 KLB [20KN]	HI LPRE05-4.5K-45	HI LPRE05-4.5K-43	HI SB05-4.5K	20FT [6M]
11.25 KLB [50KN]	HI LPRE05-11.25K-45	HI LPRE05-11.25K-43	HI SB05-11.25K	20FT [6M]
22.5 KLB [100KN]	HI LPRE05-22.5K-45	HI LPRE05-22.5K-43	HI SB05-22.5K	20FT [6M]

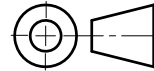

10. SHEET 2 FOR LOAD POINT DIMENSIONS.
9. LOAD POINT OPERATING TEMPERATURE RATING IS -20°C TO +65°C. USAGE OF LOAD POINT AT TEMPERATURES BELOW -20°C REQUIRES THAT THE LOAD POINT ASSEMBLY AND CABLE BE TEMPERATURE CONTROLLED.
8. DO NOT WELD LOAD POINT TO VESSEL/FOUNDATION WITH LOAD SENSOR INSTALLED.
7. LOAD POINT IS SUPPLIED WITH THE FOLLOWING:
  - HI SB05 SERIES LOAD SENSOR
  - TOP RUBBER ELEMENT MOUNT
  - LOAD SENSOR BASE PLATE AND TWO MOUNTING BOLTS
  - GROUND STRAP AND TWO MOUNTING BOLTS [M8].
6. LOAD SENSOR IS STAINLESS STEEL 17-4PH (1.4548).
5. CABLE IS SHIELDED, 6 CONDUCTOR. CABLE SHIELD IS FLOATING. SEE TABLE FOR CABLE LENGTHS.
4. C2 WIRE COLOR CODE FLAG LABEL IS LOCATED APPROXIMATELY 10 INCHES [254MM] FROM END OF CABLE.
  - EXCITATION + RED
  - EXCITATION - BLACK
  - SIGNAL + GREEN
  - SIGNAL - WHITE
  - C2 + GRAY
  - C2 - VIOLET
  - SHIELD YELLOW
3. CABLE WIRE ENDS ARE STRIPPED BACK 0.5 INCHES [12.7MM] AND TINNED. CABLE JACKET IS STRIPPED BACK APPROXIMATELY 5 INCHES [127MM].
2. THIS DRAWING IS SUBJECT TO CHANGE WITHOUT NOTICE.
1. RATED OUTPUT: 2mV/V ±0.002.

### NOTES: UNLESS OTHERWISE SPECIFIED

**PROPRIETARY NOTICE**  
 ALL DATA AND INFORMATION CONTAINED IN OR DISCLOSED BY THIS DOCUMENT IS CONFIDENTIAL AND PROPRIETARY INFORMATION OF HARDY PROCESS SOLUTIONS INC. AND ALL RIGHTS THEREIN ARE EXPRESSLY RESERVED. BY ACCEPTING THIS MATERIAL THE RECIPIENT AGREES THAT THIS MATERIAL AND THE INFORMATION CONTAINED THEREIN IS HELD IN CONFIDENCE AND IN TRUST AND SHALL NOT BE USED, COPIED, REPRODUCED IN WHOLE OR IN PART, NOR ITS CONTENTS REVEALED IN ANY MANNER TO OTHERS, EXCEPT TO MEET THE SPECIFIC PURPOSE FOR WHICH IT WAS DELIVERED.

### LOAD POINT ACCESSORY MODEL NUMBERS (LOAD SENSOR NOT INCLUDED)

CAPACITY LBS [KN]	MOUNT SET MODEL NUMBER PLATED ALLOY STEEL	MOUNT SET MODEL NUMBER STAINLESS STEEL	MODEL NUMBER TOP RUBBER ELEMENT
1125 LB [5KN]	HI MSBRE-45-4.5KLB	HI MSBRE-43-4.5KLB	HI MSBRE-F-4.5KLB
2.25 KLB [10KN]			
4.5 KLB [20KN]			
11.25 KLB [50KN]	HI MSBRE-45-11.25KLB	HI MSBRE-43-11.25KLB	HI MSBRE-F-11.25KLB
22.5 KLB [100KN]	HI MSBRE-45-22.5KLB	HI MSBRE-43-22.5KLB	HI MSBRE-F-22.5KLB

		0588-0161	OUTLINE DRAWING, LOAD POINT, HI LPRE05 SERIES		
ITEM	QTY	PART NUMBER	DESCRIPTION	COMMENTS	
PARTS LIST					
UNLESS OTHERWISE SPECIFIED DIMENSIONS ARE IN INCH [MM] THIRD ANGLE PROJECTION 		CONTRACT NO.		 <b>OUTLINE DRAWING, LOAD POINT, HI LPRE05 SERIES</b>	
		APPROVALS			
DRAWN V. CHULA		DATE 10-23-14			
CHECKED N. SCHERRER		DATE 10-23-14			
APPROVED E. JAMES		DATE 10-23-14		TITLE	
MATERIAL		ISSUED V. CHULA		DATE 10-23-14	
FINISH		PRODUCTION		DATE	
DO NOT SCALE DRAWING		SIZE D	FSCM 21316	DRAWING NO. 0588-0161	REV. A
		FILE NAME: 588161A1.DWG		SCALE: NONE	SHEET 1 OF 2

**DIMENSIONS— INCHES & [mm]**

TOLERANCES: ±0.015 [0.38] UNLESS OTHERWISE STATED

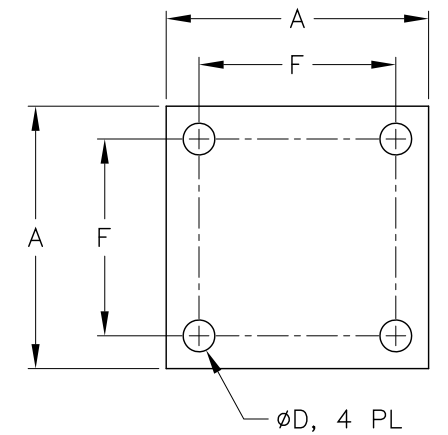
CAPACITY LBS [KN]	A	B	C	∅D	E	F	G	H*	L	∅M	Q TORQUE LB-FT [NM]	MOUNT SCREW	S MAX**	RF***
1125 LB [5KN]	3.15 [80.0]	7.09 [180.0]	3.66 [93.0]	0.354 [9.00]	2.91 [74.0]	2.28 [58.0]	0.83 [21.0]	0.47 [12.0]	1.18 [30.0]	0.591 [15.00]	65 LB-FT [70NM]	.312 OR M8	0.197 [5.00]	360 LB [1.6KN]
2.25 KLB [10KN]														
4.5 KLB [20KN]														
11.25 KLB [50KN]	3.94 [100.0]	8.62 [219.0]	4.65 [118.0]	0.433 [11.00]	4.02 [102.0]	2.99 [76.0]	1.14 [29.0]		1.57 [40.0]	0.709 [18.00]	295 LB-FT [400NM]	.375 OR M10		1124 LB [5KN]
22.5 KLB [100KN]	4.72 [120.0]	10.83 [275.0]	6.61 [168.0]	0.571 [14.50]	5.83 [148.0]	3.54 [90.0]	1.85 [47.0]		2.36 [60.0]	0.866 [22.00]	515 LB-FT [700NM]	.500 OR M12		

\* RECOMMENDED MINIMUM THICKNESS OF VESSEL MOUNTING FOOT/PLATE

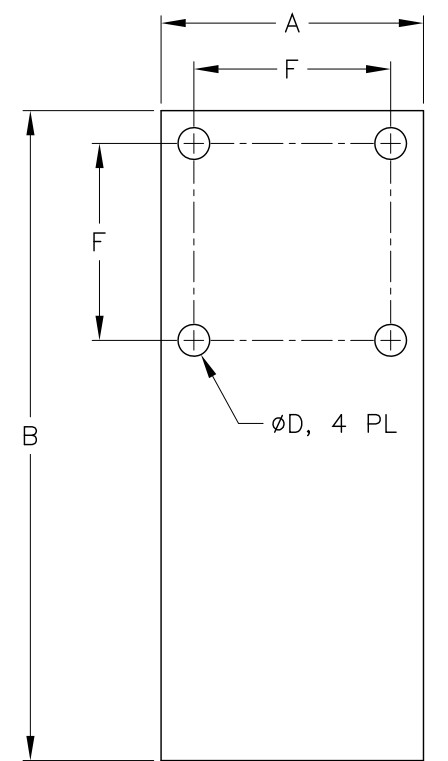
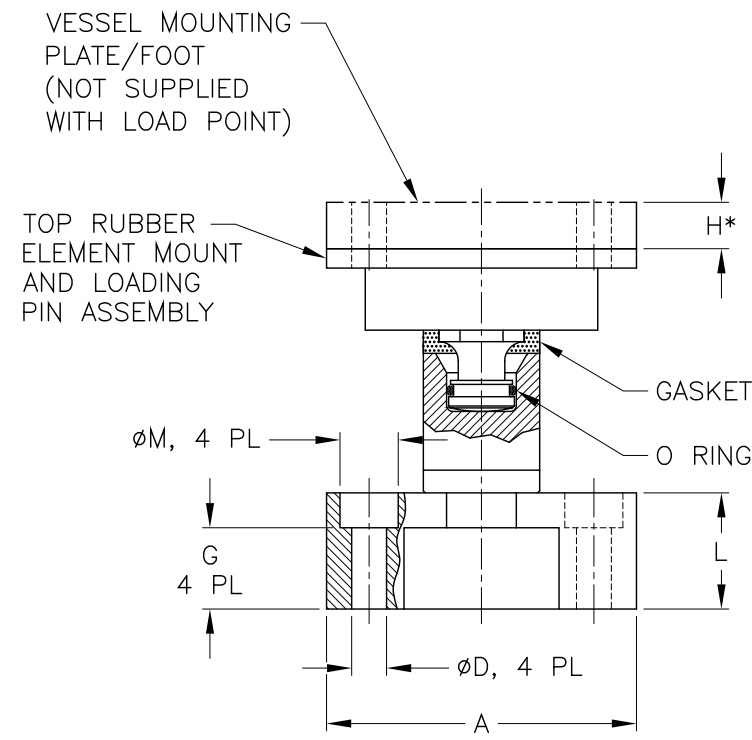
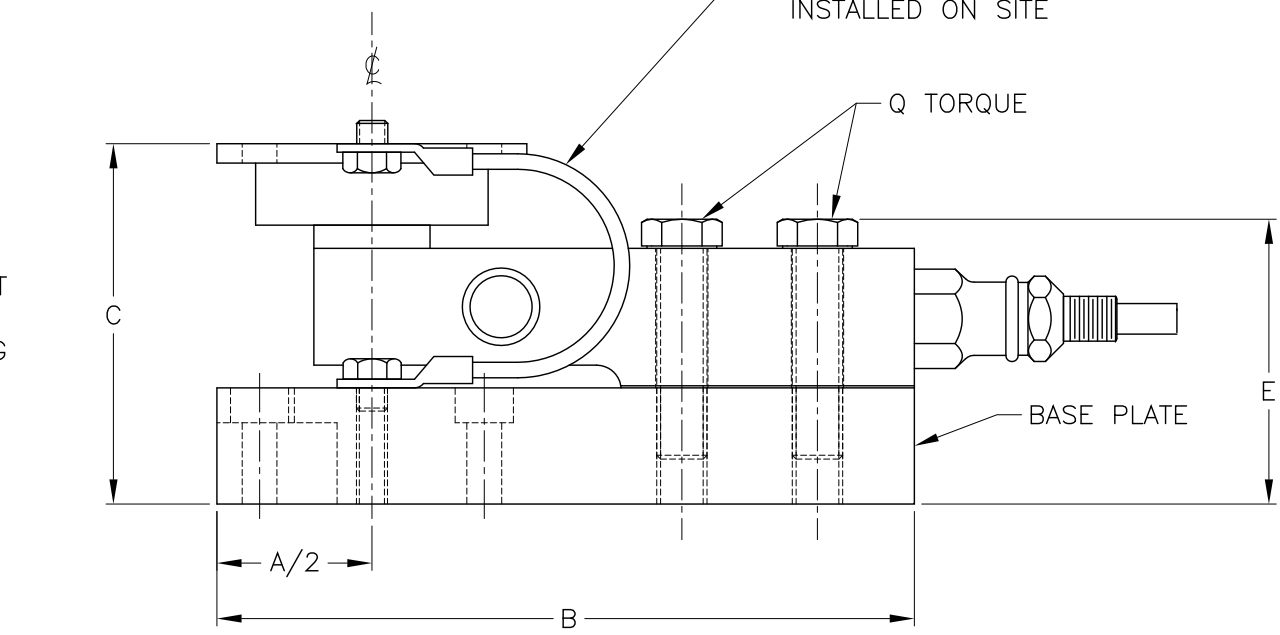
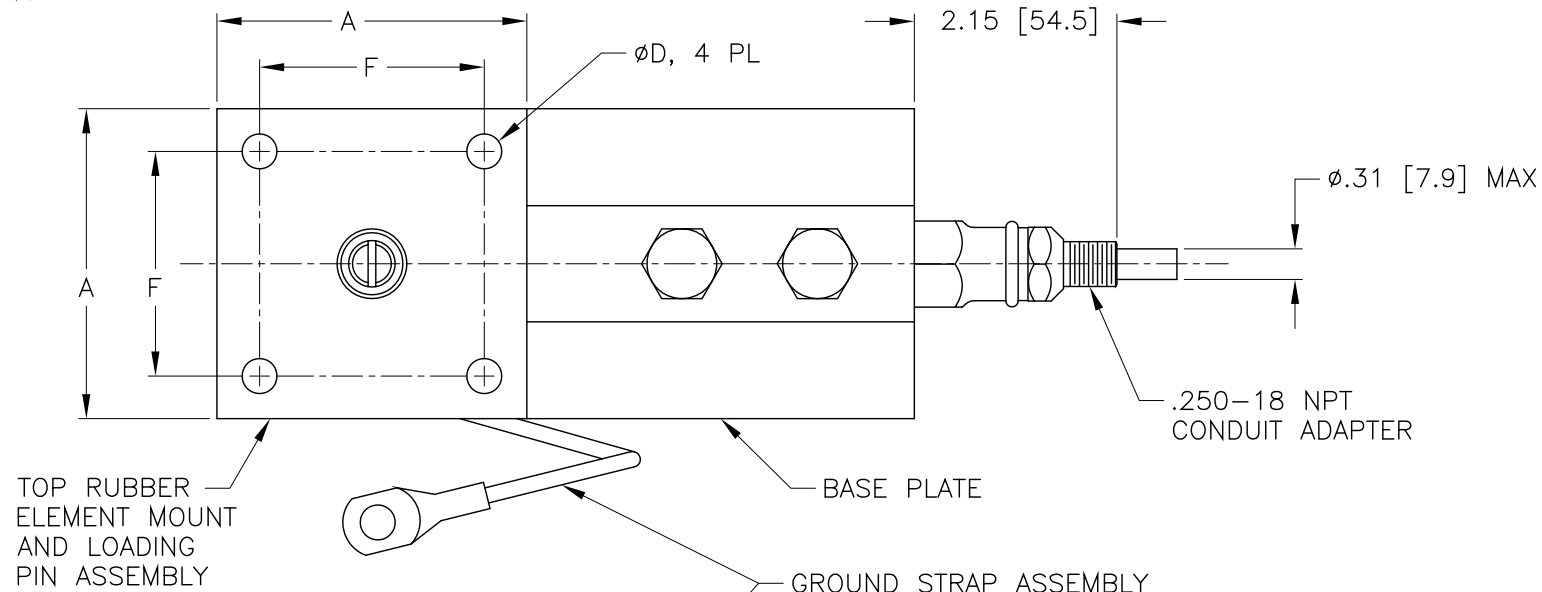
\*\* SMAX = MAXIMUM LATERAL DISPLACEMENT OF LOAD INTRODUCTION

\*\*\* RF = RESTORING FORCE AT SMAX

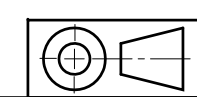
**IMPORTANT!** USE BUMPER STOPS IF LATERAL FORCES EXCEED THE RF VALUE.  
BUMPER STOP GAP TO BE APPROXIMATELY 2-3 MM.



VESSEL MOUNTING TEMPLATE



BASE MOUNTING TEMPLATE ROTATED 90° CLOCKWISE



<b>HARDY</b> PROCESS SOLUTIONS			
TITLE <b>OUTLINE DRAWING, LOAD POINT, HI LPRE05 SERIES</b>			
SIZE	FSCM	DRAWING NO.	REV.
D	21316	0588-0161	A
FILE NAME: 588161A1.DWG		SCALE: NONE	SHEET 2 OF 2